



**Model Number**

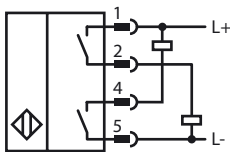
**NJ2-PD-E02-4.562-V95**

Cylinder Position Switch

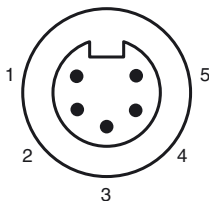
**Features**

- 4-wire DC
- Weld Immune
- Sensing range 2 mm
- 3000 psi rating

**Connection**



**Pinout**



**Wire colors**

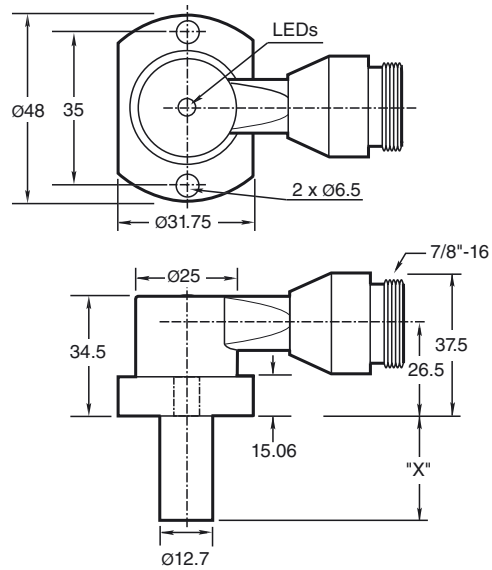
- |   |    |
|---|----|
| 1 | WH |
| 2 | RD |
| 4 | OR |
| 5 | BK |

**Accessories**

**V95-G-YE2M-STOOW**

Female connector, 7/8" - 16 UNF, 5-pin, PUR cable

**Dimensions**



**Technical Data**

**General specifications**

Switching element function		NPN & PNP, NO
Rated operating distance	$s_n$	2 mm
Installation		flush
Output polarity		DC
Assured operating distance	$s_a$	0 ... 1.62 mm
Reduction factor $r_{AI}$		0.4
Reduction factor $r_{304}$		0.85

**Nominal ratings**

Operating voltage	$U_B$	10 ... 30 V DC
Switching frequency	$f$	30 Hz
Hysteresis	$H$	10 ... 20 % 15 typ.
Reverse polarity protection		yes
Short-circuit protection		yes
Voltage drop	$U_d$	≤ 2 V DC
Operating current	$I_L$	≤ 200 mA
Off-state current	$I_r$	≤ 100 µA
No-load supply current	$I_0$	≤ 35 mA
Mag. Field strength, AC fields		250 mT
Mag. Field strength, DC fields		100 mT

**Limit data**

Operating pressure dynamically		3000 psi
--------------------------------	--	----------

**Indicators/operating means**

LED green	Power on
LED yellow	Output status

**Standard conformity**

Standards	EN 60947-5-2
-----------	--------------

**Ambient conditions**

Ambient temperature	-25 ... 70 °C (-13 ... 158 °F)
---------------------	--------------------------------

**Mechanical specifications**

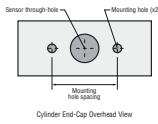
Connection type	Device connector 7/8"-16 UN , 5-pin
Protection degree	IP67
Material	Housing: zinc Probe: aluminum
Note	X = 4.562 in (115.9 mm)

**Approvals and certificates**

UL approval	cULus Listed, General Purpose
CSA approval	cCSAus Listed, General Purpose

Release date: 2013-01-21 09:50 Date of issue: 2013-01-21 904492\_eng.xml

**NPT Type Mounting Holes:**  
1000 and 3000 psi NPT Types:  
Mounting hole screw thread  
shall be 1/4" - 20.  
Minimum thread engagement  
depth is 0.250" (6.35 mm)  
Hole spacing is 35 mm  
center to center.



**Mounting Screws:**  
Standard 1000 and 3000 psi  
models use two, self-locking 1/4"- 20 socket head cap  
screws (provided).  
Recommended tightening torque: 150 in lb (16.95 N-m).

**⚠ Important:** When using spacers, make  
certain to maintain the 0.250" (6.35 mm) minimum  
mounting screw thread engagement.